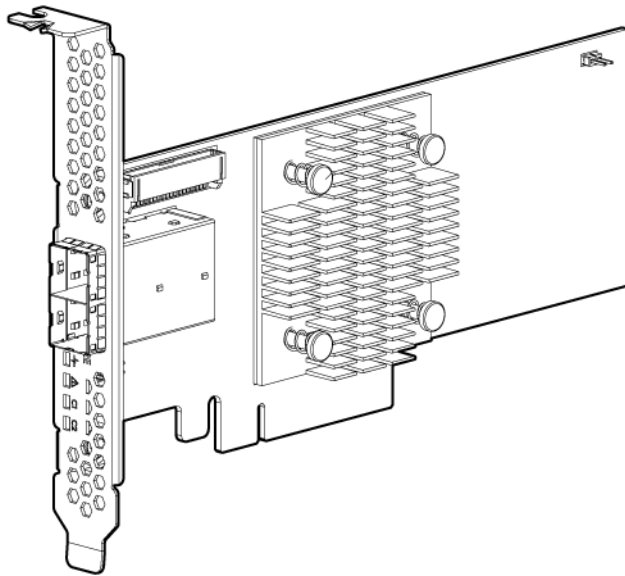


### Overview

### HPE H241 Smart Host Bus Adapter

The HPE H241 Smart Host Bus Adapter is a 2X4 12Gb/s SAS external port HBA that provides customers with the flexibility and speed they have come to expect from HPE. The H241 Smart HBA is ideal for external connectivity to tape drives, shared storage, and external JBODs providing support for both 12G SAS and 6G SATA Hard Disk Drives. The H241 Smart HBA can also provide high performance for SSDs that do not require data protection. This SAS HBA is ideal for driving cost-effective and reliable scalability in today's data centers. The H241 Smart Host Bus Adapter provides flexibility to run in HBA mode or simple RAID mode. When operating in simple RAID mode, it provides RAID 0, RAID 1, and RAID 5 with optional HPE Secure Encryption capabilities. Unlike the HPE Smart Array Controllers, the H241 does not offer any acceleration or support cache modules.



### Model

<b>Host Bus Adapter</b>	HP H241 12Gb 2-ports Ext Smart Host Bus Adapter	726911-B21
-------------------------	---	------------

### Kit contents

- HPE H241 Smart Host Bus Adapter
- Low profile controller bracket

## Compatibility

### Compatibility

#### Servers

**ProLiant DL (rack-optimized):**

- HPE ProLiant DL360 Gen9
- HPE ProLiant DL380 Gen9
- HPE ProLiant DL160 Gen9
- HPE ProLiant DL180 Gen9

**ProLiant ML (expansion-optimized):**

- HPE ProLiant ML350 Gen9

**ProLiant SL (scalable system):**

- HPE ProLiant SL210t Gen8
- HPE ProLiant SL250s Gen8
- HPE ProLiant SL270s Gen8

## Standard Features

<b>Performance</b>	<p>Designed to be as flexible as Hewlett Packard Enterprise servers, HPE H241 Smart Host Bus Adapter provides support for the tape drives, external JBODs, and Shared Storage. The HPE H241 adapter delivers exceptional system performance, with eight 12Gb/s SAS ports providing up to 96Gb/s total storage bandwidth.</p> <p>HPE's High Performance Architecture sets new boundaries for industry performance expectations!</p> <ul style="list-style-type: none"> <li>• 12Gb/s SAS (bandwidth per physical link)</li> <li>• 96Gb/s total available bandwidth (8 physical links x 12Gb/s)</li> <li>• PCIe 3.0 host interface x8 (8GT/s bandwidth per lane)</li> </ul>
<b>HPE Server Integration</b>	Fully integrated and tested with ProLiant servers and management software.
<b>Key Features</b>	<ul style="list-style-type: none"> <li>• SAS technology delivers high performance and data bandwidth up to 12Gb/s per physical link</li> <li>• Mix-and-match SAS and SATA hard drives; deploy drive technology as needed</li> <li>• PCIe 3.0 x8 ( 8GB/s bandwidth)</li> </ul>
<b>Ports</b>	Eight (8) SAS physical links distributed across 2 x4 external SFF-8644 Mini-SAS HD connectors
<b>Capacity</b>	<p>Fulfilling the need for high performance and capacity expansion, the HPE H241 Smart HBA offers:</p> <ul style="list-style-type: none"> <li>• Eight 12Gb/s SAS physical links supporting up to 2 simultaneous x4 Wide SAS Ports</li> <li>• Capacity up to 576TB of SAS or 576TB SATA</li> </ul>
<b>Form Factor</b>	<ul style="list-style-type: none"> <li>• Either high-profile or low-profile PCIe 3.0 slots. (parts included with option)</li> </ul>
<b>Operating Systems</b>	<p>Microsoft Windows Server 2012 R2          Microsoft Windows Server 2012          Microsoft Windows Server 2008 R2          Microsoft Windows Hyper-V 2012          Microsoft Windows Hyper-V 2008          Red Hat Enterprise Linux 7          Red Hat Enterprise Linux 6 U5          SUSE Linux Enterprise Server 11 SP3          SUSE Linux Enterprise Server 12 (support pending)          Canonical Ubuntu 14.04*          Canonical Ubuntu 12.04*          Solaris 11.1*</p> <p><b>NOTE: For more Linux OS support &amp; certification information, please visit the ProLiant &amp; BladeSystem Server Linux matrix:</b>  <a href="http://h18004.www1.hp.com/products/servers/linux/hplinuxcert.html">http://h18004.www1.hp.com/products/servers/linux/hplinuxcert.html</a></p>
<b>Off Line</b>	HPE Smart Component for HPE H241 Smart Host Bus Adapter
<b>Warranty</b>	<p>The warranty for this device is 1 year parts only.</p> <p><b>Warranty Upgrade Options</b></p> <ul style="list-style-type: none"> <li>• Response - Upgrade on-site response from next business day to same day 4 hours</li> </ul>

**Standard Features**

- Coverage - Extend hours of coverage from 9 hours x 5 days to 24 hours x 7 days
- Duration - Select duration of coverage for a period of 1, 3, or 5 years
- Warranty upgrade options can come in the form of Care Packs, which are sold at the HPE System level this product attaches to

---

## Service and Support

### Service and Support

#### **HPE Technology Services**

HPE Technology Services offers you technical consultants and support expertise to solve your most complex infrastructure problems. We help keep your business running, boost availability, and avoid downtime.

#### **Protect your business beyond warranty with HPE Care Pack Services**

When you buy HPE Options, it's also a good time to think about what level of service you may need. HPE Care Pack services provide total care and support expertise with committed response choices designed to meet your IT and business need.

HPE Foundation Care services deliver scalable support-packages for HPE industry-standard servers and software. You can choose the type and level of service that is most suitable for your business needs. New to this portfolio is HPE Collaborative Support. If you are running business critical environments, Hewlett Packard Enterprise offers Proactive Care or Critical Advantage. These services help you deliver high levels of application availability through proactive service management and advanced technical response.

Here is the support service recommendation from the Foundation Care and Proactive Care portfolio. For customized support service solution, HPE can work with you to tailor a service solution for your unique support requirements using broader services portfolio of Foundation Care and Proactive Care.

---

## **Recommended HPE Care Pack Services for optimal satisfaction with your HPE product**

### **Recommended Services 3-Year HPE 24x7 4 hour Response, Proactive Care**

Helps optimize your systems and delivers high levels of application availability through proactive service management and advanced technical response. A skilled Technical Manager will own your query or issue end to end until resolved, delivering a single point of contact for you

**OR**

### **3-Year HPE 24x7 4 hour Response, HPE Collaborative Support**

Provides problem resolution support across the stack of HW, firmware, and Hewlett Packard Enterprise and 3rd party SW. In case the issue is with 3rd party SW, Hewlett Packard Enterprise does known issue resolution. If HPE cannot solve the issue, it will contact the third-party vendor and create a problem incident on your behalf

<http://h20195.www2.hp.com/V2/GetPDF.aspx/4AA3-8232ENW.pdf>

### **HPE Installation of ProLiant Add On Options Service**

This easy-to-buy, easy-to-use HPE Care Pack service helps ensure that your new Hewlett Packard Enterprise hardware or software is installed smoothly, efficiently, and with minimal disruption of your IT and business operations

---

## **Related HPE Care Pack Services to enhance your HPE product experience**

### **Related Services**

#### **3-Year HPE 24x7 4 hour Response, Proactive Care**

Helps optimize your systems and delivers high levels of application availability through proactive service management and advanced technical response. A skilled Technical Manager will own your query or issue end to end until resolved, delivering a single point of contact for you

## Service and Support

OR

### 3-Year HPE 24x7 4 hour Response, Hardware Support Onsite Service

Provides you with rapid remote support and if required an HPE authorized representative who will arrive on site any time and day of the year to begin hardware maintenance service within 4 hours of the service request being logged

<http://h20195.www2.hp.com/V2/GetPDF.aspx/5982-6547EEE.pdf>

### 3-Year HPE 6-hour Onsite Call-to-Repair, HPE Collaborative Support

Offers customers a single point of contact for server problem diagnosis, hardware problem resolution to return the hardware in operating condition within 6 hours of the initial service request to the HPE Global Solution Center, and basic software problem diagnosis, fault isolation, and resolution if available to HPE. <http://h20195.www2.hp.com/V2/GetPDF.aspx/4AA3-8232ENW.pdf>

### HPE Proactive Select Service

Provides a flexible way to purchase HPE best-in-class consultancy and technical services. You can buy Proactive Select Service Credits when you purchase your hardware and then use the credits over the next 12 months. <http://h20195.www2.hp.com/V2/GetPDF.aspx/4AA2-3842ENN.pdf>

---

**Insight Remote Support** Provides 24 X 7 remote monitoring, proactive notifications, and problem resolution. Learn more <http://www.hp.com/go/insightremotesupport>

---

**HPE Support Center** Personalized online support portal with access to information, tools and experts to support Hewlett Packard Enterprise business products. Submit support cases online, chat with HPE experts, access support resources or collaborate with peers. Learn more <http://www.hp.com/go/hpsc>

HPE's Support Center Mobile App\* allows you to resolve issues yourself or quickly connect to an agent for live support. Now, you can get access to personalized IT support anywhere, anytime. HPE Insight Remote Support and HPE Support Center are available at no additional cost with a HPE warranty, HPE Care Pack or Hewlett Packard Enterprise contractual support agreement.

**\*HPE' Support Center Mobile App is subject to local availability**

---

**Parts and materials** Hewlett Packard Enterprise will provide HPE-supported replacement parts and materials necessary to maintain the covered hardware product in operating condition, including parts and materials for available and recommended engineering improvements. Supplies and consumable parts will not be provided as part of this service; standard warranty terms and conditions apply. Parts and components that have exceeded their maximum supported lifetime and/or the maximum usage limitations as set forth in the manufacturer's operating manual or the technical product data sheet will not be provided, repaired or replaced as part of this service.

---

**Warranty / Service Coverage** For ProLiant servers and storage systems, this service covers HPE-branded hardware options qualified for the server, purchased at the same time or afterward, internal to the enclosure, as well as external monitors up to 22" and tower UPS products; these items will be covered at the same service level and for the same coverage period as the server unless the maximum supported lifetime and/or the maximum usage limitation has been exceeded. Coverage of the UPS battery is not included; standard warranty terms and conditions apply.

The defective media retention service feature option applies only to Disk or eligible SSD/Flash Drives replaced by HPE due to malfunction. It does not apply to any exchange of Disk or SSD/Flash Drives

## Service and Support

that have not failed. SSD/Flash Drives that are specified by HPE as consumable parts and/or that have exceeded maximum supported lifetime and/or the maximum usage limit as set forth in the manufacturer's operating manual or the technical data sheet are not eligible for the defective media retention service feature option.

---

### **For more information**

To learn more on services for HPE ESSN Options, please contact your Hewlett Packard Enterprise sales representative or Hewlett Packard Enterprise Authorized Channel Partner. Or visit:

**<http://www.hp.com/services/proliant>** or **<http://www.hp.com/services/bladestem>**

## Related Options

**NOTE:** This is a list of supported options. Some may be discontinued.

### HPE Disk Enclosures **HPE D2000 Disk Enclosures (6Gb/s JBODs)**

HP D2600 Disk Enclosure AJ940A

**NOTE:** Supports 12 LFF Drives and SAS 6Gb/s and SATA 3Gb/s.

HP D2700 Disk Enclosure AJ941A

**NOTE:** Supports 25 SFF Drives and SAS 6Gb/s and SATA 3Gb/s.

**NOTE:** Please see the QuickSpecs for additional information and a list of compatible hard drives:

[http://h18000.www1.hp.com/products/QuickSpecs/13404\\_div/13404\\_div.html](http://h18000.www1.hp.com/products/QuickSpecs/13404_div/13404_div.html)  
(Worldwide)

### **HPE D3000 Disk Enclosures (12Gb/s JBODs)**

HP D3600 Enclosure QW968A

**NOTE:** Supports 12 LFF Drives and SAS 12Gb/s and SATA 6Gb/s.

HP D3700 Enclosure QW967A

**NOTE:** Supports 25 SFF Drives and SAS 12Gb/s and SATA 6Gb/s.

**NOTE:** See the D3000 Disk Enclosure QuickSpecs for additional information including configuration steps and additional options needed for a complete solution at:

<http://www8.hp.com/h20195/v2/GetDocument.aspx?docname=c04227611>

### **HPE D6000 Disk Enclosure**

HP D6000 Dual I/O Module Disk Enclosure QQ695A

**NOTE:** Support 70 LFF Drives and SAS 6Gb/s.

**NOTE:** Please see the supported Disk Enclosure QuickSpecs for a list of compatible hard drives:

[http://h18000.www1.hp.com/products/QuickSpecs/14419\\_div/14419\\_div.html](http://h18000.www1.hp.com/products/QuickSpecs/14419_div/14419_div.html)

## HPE Tape Drives

### **DAT Tape Drives**

HP StoreEver DAT 160 SAS External Tape Drive Q1588A

### **LTO Ultrium Tape Drives**

HP StoreEver LTO-3 Ultrium 920 SAS External Tape Drive EH848A

HP Ultrium 1760 SAS Ext Tape Drive EH920A

HP LTO-4 Ultrium 1760 SAS (1) in 1U Rack-mount Kit EH946A

HP StoreEver LTO-4 Ultrium 1840 SAS External Tape Drive EH861A

HP StoreEver LTO-5 Ultrium 3000 SAS External Tape Drive EH958A

HP StoreEver LTO-5 Ultrium 3280 SAS External Tape Drive EH900A

HP StoreEver LTO-6 Ultrium 6650 SAS External Tape Drive EH964A

HP StoreEver LTO-6 Ultrium 6250 External Tape Drive EH970A

### **Rack-mount Tape Drive Enclosures**

HP 1U SAS Rack-mount Kit AE459A

**NOTE:** The 1U SAS Rack-Mount Kit can support up to (2) half-height tape drives



## Related Options

and is compatible with the DAT 160 SAS, LTO-2 Ultrium 448 SAS, LTO-3 Ultrium 920 SAS and LTO-4 Ultrium 1760 SAS tape drives.

HP 3U SAS Rack-mount Kit

AG576A

**NOTE:** The 3U Rack-mount Kit can support up to (2) full-height or (4) half-height tape drives and compatible with multiple SAS tape drives including DAT 160 SAS, LTO-2 Ultrium 448 SAS, LTO-3 Ultrium 920 SAS, LTO-4 Ultrium 1760 SAS and LTO-4 Ultrium 1840 SAS tape drives.

### Tape Autoloaders

HP StoreEver 1/8 G2 LTO-4 Ultrium 1760 SAS Tape Autoloader

AK377B

HPE 1/8 G2 Ultrium 920 SAS Autoloader

AH558B

HP StoreEver 1/8 G2 LTO-5 Ultrium 3000 SAS Tape Autoloader

BL536B

HP StoreEver 1/8 G2 LTO-6 Ultrium 6250 SAS Tape Autoloader

COH18A

### Tape Libraries

HP MSL2024 1 LTO-4 Ultrium 1760 SAS Tape Library

AK378A

HP MSL2024 Ultrium 920 SAS Tape Library

AH559A

HP MSL2024 1 LTO-5 Ultrium 3000 SAS Tape Library

BL537A

HP StoreEver MSL6480 Scalable Base Module

QU625A

HP MSL4048 0-Drive Tape Library

AK381A

HP MSL2024 2 LTO-5 Ultrium 3000 SAS Tape Library Bundle/S-Buy

BL537SB

HP MSL2024 0-Drive Tape Library

AK379A

HP MSL4048 2 LTO-4 Ultrium 1760 SAS Tape Library

AK380A

HP MSL4048 2 LTO-5 Ultrium 3000 SAS Tape Library

BL538A

HP MSL8096 2 LTO-4 Ultrium 1760 SAS Tape Library

AK382A

HP MSL8096 2 LTO-5 Ultrium 3000 SAS Tape Library

BL539A

### External Cable Options to be used with D2000 and D6000 Disk Enclosures

HP 0.5m External Mini SAS High Density to Mini SAS Cable

691971-B21

HP 1.0m External Mini SAS High Density to Mini SAS Cable

716189-B21

HP 2.0m External Mini SAS High Density to Mini SAS Cable

716191-B21

HP 4.0m External Mini SAS High Density to Mini SAS Cable

716193-B21

HP 6.0m External Mini SAS High Density to Mini SAS Cable

733045-B21

## Technical Specifications

<b>Dimensions</b> (excluding bracket)	6.6 x 2.7 x 0.6 in (16.8 x 6.86 x 1.6 cm)
<b>Disk Drive and Enclosure</b>	12Gb/s SAS (Serial Attached SCSI)
<b>Protocol Support</b>	6Gb/s SATA (Serial Advanced Technology Attachment)
<b>Architecture</b>	Serial Attached SCSI (SAS) Serial Advanced Technology Attachment (SATA) PCIe 3.0 x8
<b>SAS Connectors</b>	2 x4 external SFF-8644 (Mini-SAS HD)
<b>Data Transfer Method</b>	4.8GB/s bandwidth per port for combined throughput of up to 96Gb/s
<b>PCIe Bus Speed</b>	PCIe 3.0 x8 (8GT/s maximum bandwidth)
<b>Simultaneous Connection Transfer Ports</b>	2 x 4 mini SAS HD Connectors
<b>Port Transfer Rate</b>	96Gb/s per x8 mini SAS HD Ports (8 x 12Gb/s)
<b>Software upgradeable Firmware</b>	Yes
<b>Maximum Capacity</b>	576TB SAS, 576TB SATA
<b>Memory Addressing</b>	64-bit, supporting servers memory greater than 4GB
<b>Boot mode</b>	UEFI or Legacy boot mode support

---

<b>Environment-friendly Products and Approach</b>	<b>End-of-life Management and Recycling</b>	Hewlett Packard Enterprise offers end-of-life Hewlett Packard Enterprise product return, trade-in, and recycling programs in many geographic areas. For trade-in information, please go to: <a href="http://www.hp.com/go/green">http://www.hp.com/go/green</a> . To recycle your product, please go to: <a href="http://www.hp.com/go/green">http://www.hp.com/go/green</a> or contact your nearest Hewlett Packard Enterprise sales office. Products returned to Hewlett Packard Enterprise will be recycled, recovered or disposed of in a responsible manner.
---	---	---

The EU WEEE directive (2002/95/EC) requires manufacturers to provide treatment information for each product type for use by treatment facilities. This information (product disassembly instructions) is posted on the Hewlett Packard Enterprise web site at: <http://www.hp.com/go/green>. These instructions may be used by recyclers and other WEEE treatment facilities as well as HEWLETT PACKARD ENTERPRISE OEM customers who integrate and re-sell Hewlett Packard Enterprise equipment.

## Summary of Changes

Date	Version History	Action	Description of Change:
11-Dec-2015	From Version 2 to 3	Removed	Support for MSA 2040 was removed from QuickSpecs.
01-Dec-2014	From Version 1 to 2	Changed	Related Options section was revised.



**Sign up for updates**

★ Rate this document



© Copyright 2015 Hewlett Packard Enterprise Development LP. The information contained herein is subject to change without notice. The only warranties for Hewlett Packard Enterprise products and services are set forth in the express warranty statements accompanying such products and services. Nothing herein should be construed as constituting an additional warranty. Hewlett Packard Enterprise shall not be liable for technical or editorial errors or omissions contained herein.

Microsoft and Windows are registered trademarks or trademarks of Microsoft Corporation in the U.S. and/or other countries.

For hard drives, 1GB = 1 billion bytes. Actual formatted capacity is less.

c04346305 - 15043 - Worldwide - V3 - 11-December-2015