

Overview

HPE RDX Removable Disk Backup System

HPE RDX Removable Disk Backup System is a disk-based back up and recovery solution with unmatched portability, fast recovery and easy integration into a single server or branch office environment. HPE RDX works exceptionally well in harsh work environments where businesses need to protect, manage and transport large amounts of data in less than ideal locations. Complement your cloud backup strategy with a local copy so you can recover quickly and always feel confident your data is never far away.



Internal & External Dock



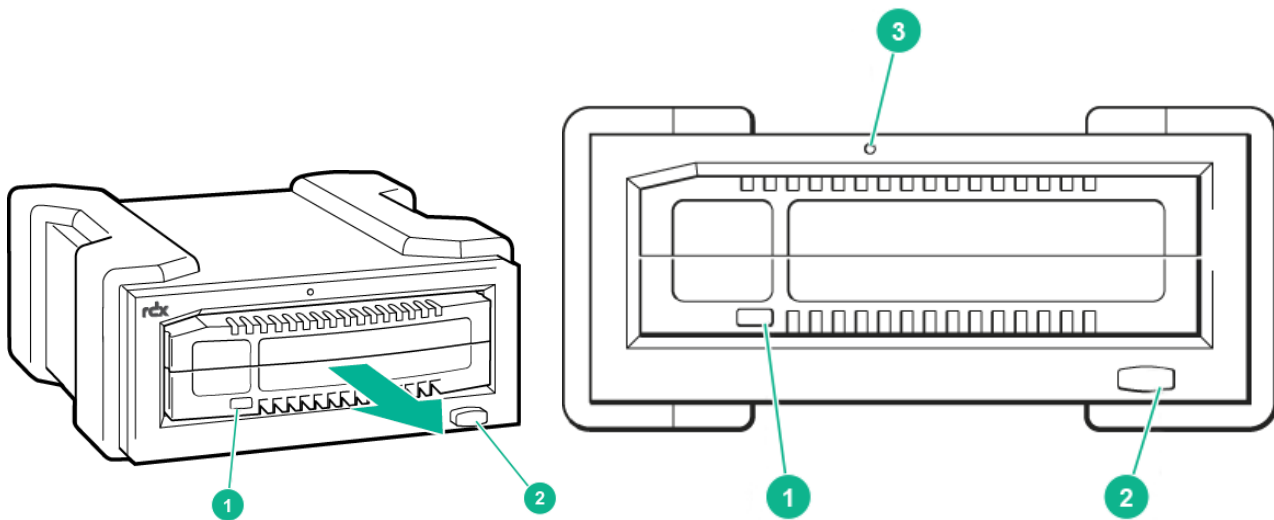
Removable Disk Cartridges

What's New

HPE RDX 4TB cartridge and backup systems offer the highest available RDX capacity on the market today, increasing backup and recovery 33% over the previous available 3TB capacity.

There is currently a choice of 500 GB, 1 TB, 2 TB, 3 TB and now 4TB disk capacities.

Overview



1. Activity LED (located on cartridge)

- Blinking green, cartridge is connected to an RDX dock (reading, writing, seeking activity).
- On amber: The drive has detected a cartridge fault condition

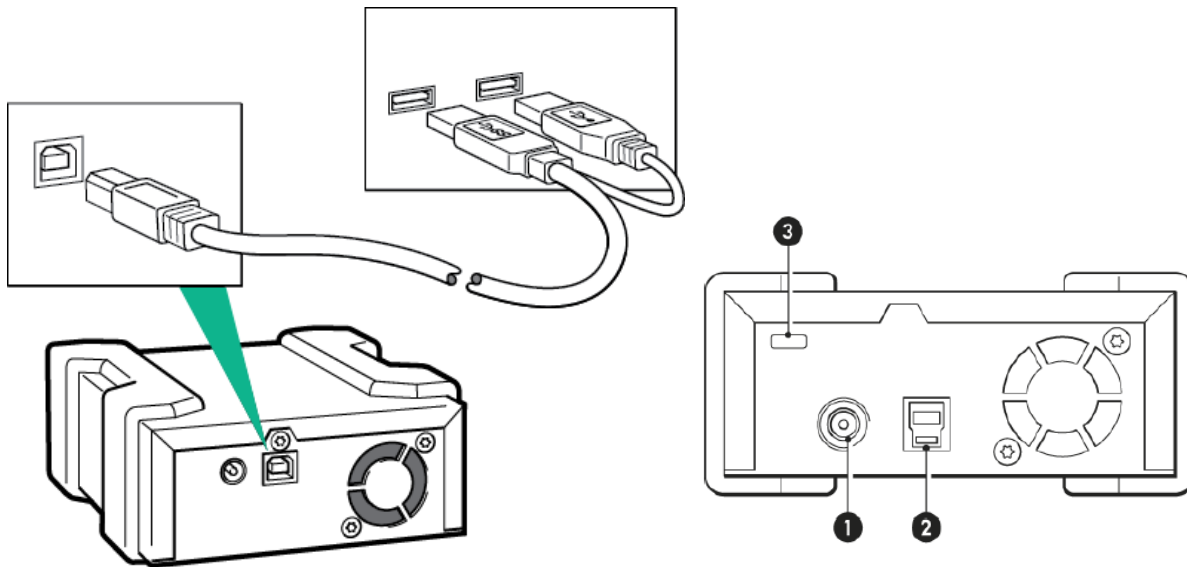
2. Eject button/power LED

- Off: No power.
- Green: Dock is ready for use.
- Blinking Green: Dock is ejecting the cartridge.
- Amber: Fault with the dock.
- Blinking Amber: Drive is waiting for cartridge activity to complete before ejecting.

3. Emergency eject hole.

If the cartridge cannot be ejected with the Eject button, insert the emergency eject pin, included with the product, into the emergency eject hole and gently push to release the cartridge.

Overview



- 1- Power socket - If two USB 2.0 ports do not provide sufficient power, an external power adapter can be used (power adapter not supplied). For specifications see the RDX User Guide at <http://www.hpe.com/support/rdx>.
- 2- USB 3.0 Port - For optimal performance, Hewlett Packard Enterprise recommends connecting the RDX+ drive to a USB 3.0 port. If the host system does not provide enough power from a single USB port, attach both USB connectors to the host computer.
- 3- Attach point for a Kensington lock located at the rear of the external drive so the unit can be easily secured, if required

Product Highlights

Key Features

- Low power ruggedized design offers flexibility to plug it in anywhere and feel confident the data is always available and safe
 - Cartridge style hard drive has a 97% survival rate compared to 0% for ordinary USB drives in a independent drop test.
 - Ability to recover quickly with disk to disk backup performance reaching speeds of up to 360 GB/hr.
 - Compatibility across various operating systems and virtualization platforms makes RDX simple to adapt into any small business environment
 - Built in static protection eliminates server or workstation failures due to statically charged peripherals
 - Supports drag and drop file access making backup as simple and convenient as the click of the mouse.
 - Supports disk spanning, just add cartridges during the backup process, dynamically increasing the backup.
 - Inner buffers built into the system lower disk drive vibration, increasing read/write disk performance.
 - Hewlett Packard Enterprise qualified and tested, making it easy to integrate into your server storage and networking environments.
 - Hardware read-only option preventing data from being accidentally erased
 - Internal dock option makes it easy to configure with ProLiant and StoreEver products
-

Pre-configured models

Models

Part Number



Internal Models

HP RDX 500 GB Internal Disk Backup System

B7B64A

RDX Internal Docking Station, installation poster, internal USB cable, HPE RDX 500 GB Removable Disk Cartridge

NOTE: OD1 will appear after this part number on your sales order if factory integration is indicated.

HP RDX 1 TB Internal Disk Backup System

B7B67A

RDX Internal Docking Station, installation poster, internal USB cable, HPE RDX 1 TB Removable Disk Cartridge

NOTE: OD1 will appear after this part number on your sales order if factory integration is indicated.

HP RDX 2 TB Internal Disk Backup System

E7X52A

RDX Internal Docking Station, installation poster, internal USB cable, HPE RDX 2 TB Removable Disk Cartridge

NOTE: OD1 will appear after this part number on your sales order if factory integration is indicated.

HP RDX 3 TB Internal Disk Backup System

P9L71A

RDX Removable Disk Backup System installation poster/flyer, internal USB cable, power cable, HPE RDX 3TB GB Removable Disk Cartridge

NOTE: OD1 will appear after this part number on your sales order if factory integration is indicated.

HP RDX 4 TB Internal Disk Backup System

Q2R32A

RDX Removable Disk Backup System installation poster/flyer, internal USB cable, power cable, HPE RDX 4TB GB

Pre-configured models

Removable Disk Cartridge

NOTE: OD1 will appear after this part number on your sales order if factory integration is indicated.



External Models

HPE RDX 500 GB External Disk Backup System

HP RDX 500GB External Backup System, installation poster, external USB Y-cable, HPE RDX 500 GB Removable Disk Cartridge

B7B66B

HP RDX 1TB External Backup System

RDX External Docking Station, installation poster, external USB Y-cable, HPE RDX 1TB Removable Disk Cartridge

B7B69B

HP RDX 2TB External Disk Backup System

RDX External Docking Station, installation poster, external USB Y-cable, HPE RDX 2TB Removable Disk Cartridge

E7X53B

HP RDX 3TB External Disk Backup System

RDX External Docking Station, installation poster, external USB Y-cable, HPE RDX 3TB Removable Disk Cartridge

P9L72A

HP RDX 4TB External Disk Backup System

RDX External Docking Station, installation poster, external USB Y-cable, HPE RDX 4TB Removable Disk Cartridge

Q2R33A

Individual models

Docks

HP RDX Internal Docking Station (media not included)

C8S06A

RDX Removable Disk Backup System Internal Docking Station installation poster/flyer, internal USB cable, power cable. Is backwards and forwards compatible with any RDX capacity media.



HP RDX External Docking System (media not included)

C8S07B

RDX Removable Disk Backup System External Docking Station installation poster/flyer, external USB Y-cable. Is backwards and forwards compatible with any RDX capacity media.



Individual models

Media



HPE RDX 500GB Removable Disk Cartridge

HPE RDX 1TB Removable Disk Cartridge

HPE RDX 2TB Removable Disk Cartridge

HPE RDX 3TB Removable Disk Cartridge

HPE RDX 4 TB Removable Disk Cartridge

Q2042A

Q2044A

Q2046A

Q2047A

Q2048A

Compatibility

Compatibility

The HPE extensive compatibility testing program assures that your HPE RDX Removable Disk Backup System works with leading servers, operating systems, and backup applications. For the latest list of servers, workstations, operating systems, and backup software that support the HPE RDX Removable Disk Backup System, check the HPE RDX Removable Disk Backup System compatibility pages on our web site at <http://www.hpe.com/storage/spock>

USB 3.0 is backwards compatible with USB 2.0; however if the host device does not have a USB 3.0 port, the user will not be able to experience the full transfer rate performance that their RDX USB 3.0 system offers. Hewlett Packard Enterprise recommends the following controller for a user who currently only has USB 2.0: Startech 2 port PCI Express SuperSpeed USB 3.0 card. HPE USB 3.0 controllers do not support this product.

HPE Server/ Storage Compatibility

The HPE RDX Removable Disk Backup System is compatible with Hewlett Packard Enterprise servers and storage products.

HP StoreEver 1U USB Rack-mount Kit

A8007B

1U USB Rack-Mount Kit holds up to two internal HPE RDX/HPE RDX+ Removable Disk Backup Systems



Please refer to the following web page for further product information:

<http://www8.hp.com/us/en/products/tape-drives-enclosures/product-detail.html?oid=4304791#!tab=features>

ProLiant Servers

DL Series

External RDX dock connectivity when USB port is present on server.

ML Series

External RDX dock connectivity when USB port is present on back of server.

Internal RDX dock connectivity on ML30, ML150, ML350

Compatibility

For details and a full list of which HPE RDX Removable Disk Backup System models work with which server and storage systems, including third-party systems, visit: <http://www.hpe.com/storage/spock> for the latest hardware compatibility information.

NOTE: Hewlett Packard Enterprise recommends that no more than one HPE RDX Removable Disk Backup System be connected to a system at a time.

OS Support

Operating System	Version
Windows Client & Server Operating Systems	Windows Server 2016 Standard & Data Center (x86, x64), Windows 10 Home & Pro (x86, x64), Windows Server 2012 R2 (x64), Windows Server 2012 (x64), Windows Small Business Server 2011 (x64), Windows Server 2008 R2 (x64), Windows Server 2008 (x86, x64), Windows Server 2003 R2 (x86, x64), Windows Server 2003 (x86, x64), Windows 8.1 (x86, x64), Windows 8 (x86, x64), Windows 7 (x86, x64) SP1, Windows Vista (x86, x64) SP1 or later, Windows XP (x86) SP2 or later)
Linux Distributions (Kernel ver. 2.6.9 and later)	RedHat Enterprise Linux SUSE Linux Enterprise Server CentOS Linux Fedora Core 5 Clear OS
Apple	Mac-OS (OS X) 10.3 and up
Virtualization Compatibility	vSphere 6.5, Windows Server 2012, Hyper-V, KVM, Clear OS, XenServer

NOTE: Please visit: <http://www.hpe.com/storage/spock> for the latest compatibility information.

Service and Support, and Warranty Information

Warranty and Services Included with the Product Hewlett Packard Enterprise provides a 3-year, next-day, parts exchange, limited warranty for the HPE RDX/HPE RDX+ Removable Disk Backup System, plus 9x5 phone support for the duration of the warranty.

Hewlett Packard Enterprise warrants only that the Storage software media will be free of physical defects for a period of ninety (90) days from delivery.

For more information about HPE's Global Limited Warranty and Technical Support, visit: www.hp.com/storage/warranty

Service and Support **Protect your business beyond warranty with HPE Support Services**

HPE Technology Services delivers confidence, reduces risk and helps customers realize agility and stability. Our integrated portfolio of Services for storage help customers reduce costs, optimize data, streamline storage management, and improve backup and recovery. HPE Support Services enable you to choose the right service level, length of coverage and response time as you purchase your new storage solution, giving you full entitlement for the support for need for your IT and business.

Recommended Support Services

Optimized Care **HPE Proactive Care* with 6 hour call-to-repair commitment, three year Support Service**

HPE Proactive Care gives customers an enhanced call experience plus helps prevent problems and maintains IT stability by utilizing tailored, proactive reports with recommendations and advice when your products are connected to Hewlett Packard Enterprise. This Service combines three years' proactive reporting and advice with our highest level of hardware support - The Hewlett Packard Enterprise 24x7, six hour hardware call-to-repair. Hewlett Packard Enterprise is the only leading manufacturer who makes this level of coverage available as a standard service offering for your most valuable storage systems. <https://www.hpe.com/h20195/v2/GetPDF.aspx/4AA3-8855ENW.pdf>

Standard Care **HPE Proactive Care* with 24x7 coverage, three year Support Service**

HPE Proactive Care gives customers an enhanced call experience plus helps preventing problems and maintains IT stability by utilizing personalized proactive reports with recommendations and advice when your products are connected to Hewlett Packard Enterprise. This Service combines three years' proactive reporting and advice with our 24x7 coverage, four hour hardware response time when there is a problem. <https://www.hpe.com/h20195/v2/GetPDF.aspx/4AA3-8855ENW.pdf>

NOTE: *HPE Proactive Care and HPE Proactive Care Advanced require that the customer connect their devices to make the most of these services and receive all the deliverables.

Basic Care **HPE Foundation Care 24x7, three-year Support Service**

HPE Foundation Care 24x7 gives you access to Hewlett Packard Enterprise 24 hours a day, seven days a week for assistance on resolving issues. This service includes need based Hardware onsite response within four hours. Simplify your support experience and make Hewlett Packard Enterprise your first call to help resolve hardware or software problems.

<http://www.hpe.com/h20195/V2/GetDocument.aspx?docname=4AA4-8876ENW&cc=us&lc=en>

More Information <http://www.hpe.com/services>

Technical Specifications

Performance and Compatibility

Native Capacity 500GB, 1TB, 2TB, 3TB or 4TB

Compressed* Capacity 1TB, 2TB, 4TB, 6TB or 8TB

* Assumes 2:1 application based data compression

Native average sustained transfer rate Up to 100 MB/s

Compressed* average sustained transfer rate Up to 200 MB/s

* Assumes 2:1 application based data compression

Average Access time < 15 ms

Supported File Systems: NTFS, FAT32, ext2, ext3, ext4 and Mac OS Extended (HFS+)

Supported Operating Systems: Windows XP, Windows Vista SP1, Windows 7, Windows 8, Windows Server 2003, Windows Server 2003 R2, Windows Server 2008, Windows Server 2008 R2, Windows Server 2012, Windows Server 2012 R2, Small Business Server 2008, Small Business Server 2011, CentOS Linux, Fedora Core 5, RHEL, SLES, OS X
(HPE RDX Compatibility details are available at www.hpe.com/storage/spock)

RDX Cartridge Compatibility: Forward and backward compatible to all RDX drives and systems (Note, a firmware upgrade is required for legacy RDX USB 2.0 drives, for use with 3TB or 4TB cartridges. See www.hpe.com/support/rdx).

Reliability

MTBF (Drive) 550,000 hours

Uncorrected Error Rate 1 error per 10¹⁴ bits read

Load/ Unload Cycles:-

Drive: Minimum of 10,000 Load/Unload cycles

Cartridge: Minimum of 5,000 Load/Unload cycles

Cartridge Drop Shock (non-operating) 1m drop to tile over concrete floor

Power Specifications and Interface

Voltage

- Internal Drive: +5V or +12V
- External Drive: +5V (USB powered or Power Adaptor) or +12V (Power Adaptor)

Operating Current during write/read (Typical/Peak):

- Internal Drive @ 5V: 0.9A / 1.6A
- Internal Drive @ 12V: 0.005A
- External Drive @ 5V: 0.9A / 1.6A (powered via USB)

External Drive @ 5V: 1.2A / 2.4A (powered via Power Adaptor)

External Drive @12V: 0.5A / 1A (powered via Power Adaptor)

Power Connector:

- Internal Drive 4-Pin Molex
- External Drive USB 3.0 Y-cable (supplied) or Power Adaptor (not supplied)

Technical Specifications

Interface

- Internal Drive: USB 3.0 SuperSpeed (Type-B connector)
- External Drive: USB 3.0 SuperSpeed (Type-B connector)

Orientation (Mounting and Operational)

Internal Drive	Horizontal or Vertical
External Drive	Horizontal or Vertical

Environmental

Operating Conditions:-

Temperature	+10°C to +40°C (+50°F to +104°F)
Vibration	0.5G (operating)
Relative Humidity	20% to 80%, non-condensing
Altitude	-15 m to 3,048 m (-50 ft to 10,000 ft)

Non-Operating Conditions:-

Temperature	-40°C to +65°C (-40°F to +149°F)
Vibration	1.0G (non-operating)
Relative Humidity	8% to 90%, non-condensing
Altitude	-15 m to 10,660 m (-50 ft to 35,000 ft)

Archival Conditions:-

Temperature	5°C to +26°C (41°F to 78°F)
Relative Humidity	8% to 90%, non-condensing
Maximum Wet Bulb	25°C (77°F), non-condensing

Dimensions

Product only (no Packaging)

Internal Drive (H x W x D)	1.63 x 5.78 x 6.72 inches (4.14 x 14.60 x 17.07 cm) including bezel
External Drive (H x W x D)	2.04 x 4.32 x 7.00 inches (5.18 x 10.98 x 17.75 cm) including bezel
Cartridge (H x W x D)	0.92 x 3.39 x 4.68 inches (2.34 x 8.66 x 11.9 cm)

Shipping (Product and Packaging)

Internal Drive (H x W x D)	8.1 x 11.2 x 3.3 inches (20.9 x 28.0 x 8.6 cm)
External Drive (H x W x D)	6.5 x 9.8 x 3.6 inches (16.4 x 25.0 x 9.2 cm)
Internal System** (H x W x D)	8.1 x 14.6 x 3.3 inches (20.9 x 37.0 x 8.6 cm)
External System** (H x W x D)	6.7 x 9.8 x 5.5 inches (17.0 x 25.0 x 14.0 cm)
Cartridge only (H x W x D)	4.52 x 7.48 x 2.75 inches (11.5 x 19.0 x 7.0 cm)

** System = Drive and Cartridge

Weights

Internal Drive	1.40 lb (408g)
External Drive	1.35 lb (615g)
Cartridge	up to 0.60 lb (272g) HDD dependent

Shipping (Products and Packaging)

Internal Drive	2.38 lb (1080g)
----------------	-----------------

Technical Specifications

External Drive	2.28 lb (1036g)
Internal System**	3.08 to 3.37 lb (1395 to 1527g) HDD dependent
External System**	3.12 to 3.35 lb (1414 to 1519g) HDD dependent
Cartridge	0.76 lb to 1.04 lb (344g to 470g) HDD dependent

** System = Drive and Cartri

Standards Compliance (all models)

SAFETY COMPLIANCE Country	Regulatory Organization	Compliant to / mark:
USA	Underwriters Laboratories (UL)	UL 60950-1
EU member nations	European Committee for Electrotechnical Standardization (CENELEC)	IEC 60950 / EN60950
Canada	Underwriters Laboratories (cUL)	CAN/CSA C22.2 60950-1
Germany	Technischer Überwachungs-Verein (TUV) Rheinland	IEC 950 / EN60950-01
Mexico	Normas Oficiales Mexicanas (NOM), similar to UL	NOM standards
Singapore	Productivity and Standards Board (PSB)	PSB safety certification
South Korea	JEON	eK certification
Argentina	Instituto Argentino de Racionalization de Materiales (IRAM)	S-Mark safety certification
China	Chinese Commodity Import Bureau (CCIB)	CCC safety certification
Member nations of IECEE4	IECEE International Electrotechnical Commission on Electrical Equipment (IECEE) for Mutual Recognition of Test Certificates for Electrical Equipment "CB Scheme"	CB Scheme per IEC 950 / EN60950-01 with details and exceptions for each member country
Russia	GOSSTANDART (GOST)	CB Scheme
Malaysia	JBE SIRIM	CB Scheme
South Africa	SABS	CB Scheme
Israel	SII	CB Scheme
Saudi Arabia	KSA-ICCP	CB Scheme
Japan	PSE	CB Scheme
Taiwan	Bureau of Commodity Inspection and Quarantine (BSMI)	BSMI safety certification
Australia / New Zealand	New South Wales N-mark	CB Scheme

Summary of Changes

Date	Version History	Action	Description of Change
06-Nov-2017	From Version 26 to 27	Changed	Fixed the Tech Specs section
25-Sept-2017	From Version 25 to 26	Changed	Changes made throughout the QuickSpecs
08-May-2017	From Version 24 to 25	Changed	Added the Veeam Endpoint, Windows Backup
27-Mar-2017	From Version 23 to 24	Changed	Changes made throughout the QuickSpecs
07-Jun-2016	From Version 22 to 23	Changed	Changes made throughout the QuickSpecs
19-Feb-2016	From Version 21 to 22	Changed	Image on page 1 was updated.
16-Oct-2015	From Version 20 to 21	Added	Added mention of Yosemite Backup software + Fixed Disk Mode. Added new picture of RDX+ system.
		Removed	Removed DL erver Backup Modules. Removed RDX External Disk Backup Systems. Removed RDX docking Station. Removed mention of CDP software. Removed 320 GB cartridges and systems. Removed mention of any CD's in kit contents.
05-Jun-2015	From Version 19 to 20	Changed	Modified to have RDX+ be a version.
		Added	Added all previous SKUs that were incorrectly deleted.
01-Jun-2015	From Version 18 to 19	Changed	Added RDX+ SKUs, removed all RDX system and RDX Docking station SKUs.
15-Sep-2014	From Version 17 to 18	Changed	Changed the picture from fist page.
31-Mar-2014	From Version 16 to 17	Changed	Changes made to Overview, What's New, Features and Technical Specifications sections.
25-Mar-2013	From Version 15 to 16	Changed	Changes made to Overview, What's New, Features and Kit Contents sections.
26-Nov-2012	From Version 14 to 15	Changed	Change made to Kit Content titles in Kit Content section.
13-Nov-2012	From Version 13 to 14	Changed	Correction made to the North America and Canada versions only.
12-Oct-2012	From Version 12 to 13	Changed	Change made to the URL in Service and Support, HPE Care Pack and Warranty Information section.
21-Sep-2012	From Version 11 to 12	Changed	Change made to the URL in Service and Support, HPE Care Pack and Warranty Information section.
14-Sep-2012	From Version 10 to 11	Changed	Changes were made in Compatibility section.
13-Aug-2012	From Version 9 to 10	Changed	Changes made throughout the QuickSpecs.
08-Jun-2011	From Version 8 to 9	Removed	Mentions of StorageWorks were removed.
15-Nov-2010	From Version 7 to 8	Changed	HPE RDX 1TB Removable Disk Backup System was added and HPE RDX 750GB Removable Disk Backup System was removed HPE ProLiant DL385 G7 Server was added www.hp.com/storage/spock was added to Compatibility
27-Sep-2010	From Version 6 to 7	Changed	Kit Contents models were completely revised, Product descriptions were revised in Media and Models were removed from the Overview.
16-Feb-2010	From Version 5 to 6	Changed	Changes made throughout the entire QuickSpecs.
05-Jun-2009	From Version 4 to 5	Changed	Updated the Out of box, Removable Disk Cartridge Weight and Shipping, Removable Disk Cartridge Weight for the HPE RDX 500 and HPE RDX DL380 G6 server module in the Technical

Summary of Changes

			Specifications section.
01-Apr-2009	From Version 3 to 4	Added	Added "including the HPE ProLiant DL380 G6 servers" to the Compatibility section.
30-Mar-2009	From Version 2 to 3	Changed	Revised the Introduction and What's New sections. Other updates made throughout the QuickSpecs.
		Added	Added Model numbers AP724A, AP725A, AP726A
17-Nov-2008	From Version 1 to 2	Changed	Changes made throughout the entire QuickSpecs.



Sign up for updates



© Copyright 2017 Hewlett Packard Enterprise Development LP. The information contained herein is subject to change without notice. The only warranties for Hewlett Packard Enterprise products and services are set forth in the express warranty statements accompanying such products and services. Nothing herein should be construed as constituting an additional warranty. Hewlett Packard Enterprise shall not be liable for technical or editorial errors or omissions contained herein.

Microsoft and Windows NT are US registered trademarks of Microsoft Corporation. Intel is a US registered trademark of Intel Corporation.

For RDX+ drives and media, 1 GB = 1 billion bytes. Actual formatted capacity is less.

c04111633 - 13036 - Worldwide - V27 - 06-November-2017